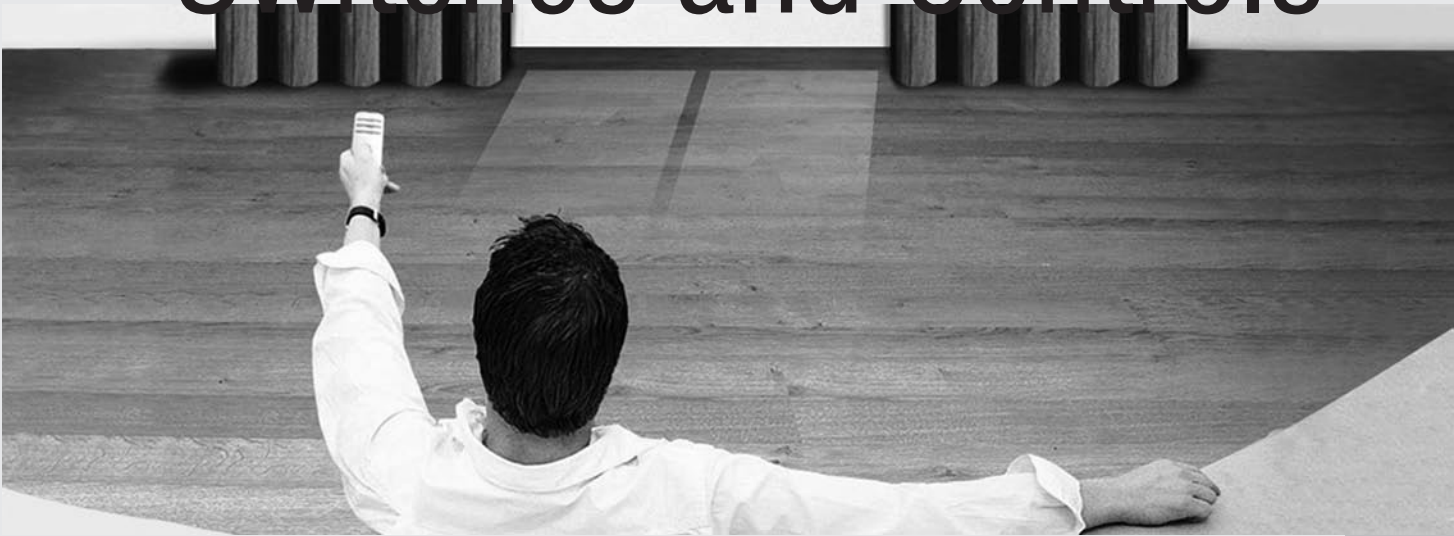


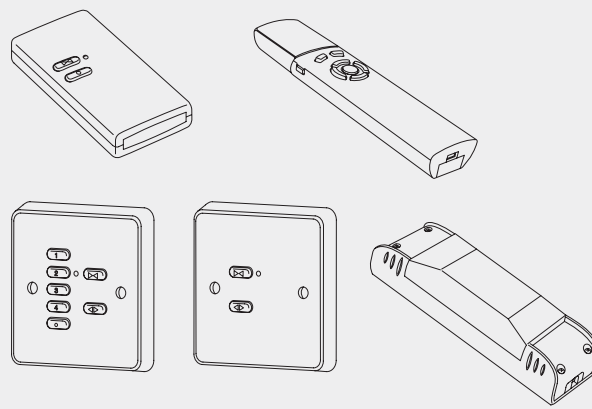
# Switches and Controls





## Control System

# Silent Gliss® 0450 Radio Control System



### Product Information

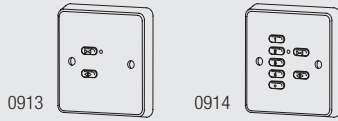
- For use with Silent Gliss type A, AA, B, BB and C motors
- Radio controlled - no wiring from switch to control box
- Up to 255 house and 255 room addresses
- Can be retro fitted
- Simple multi-switch possibilities without complex cabling
- Control of up to 8 motor groups (can be A, AA, B, BB and C mixed) both individually and simultaneously from a single gang switch
- Ability to interface with RS232 and RS485 communication protocols on request
- Wall switches available in either mirror polish, brushed stainless or brass finish
- Multi-channel programmable handset available
- Black pattress box as standard, white box available on request
- Range: max. 100m
- In some situations a booster may be required for distances over 15m. Ask Silent Gliss
- Pulse function allows slat tilting action on vertical and venetian blinds



0450

## Components

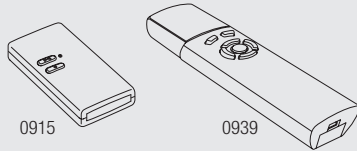
### Wall mounted switches 0913/0914



0913(BS, MP or BR): Wall mounted switch single channel  
 0914(BS, MP or BR): Wall mounted switch 8-channel

Wall switches are available in either mirror polish (...MP), brushed stainless (...BS) or brass (...BR)

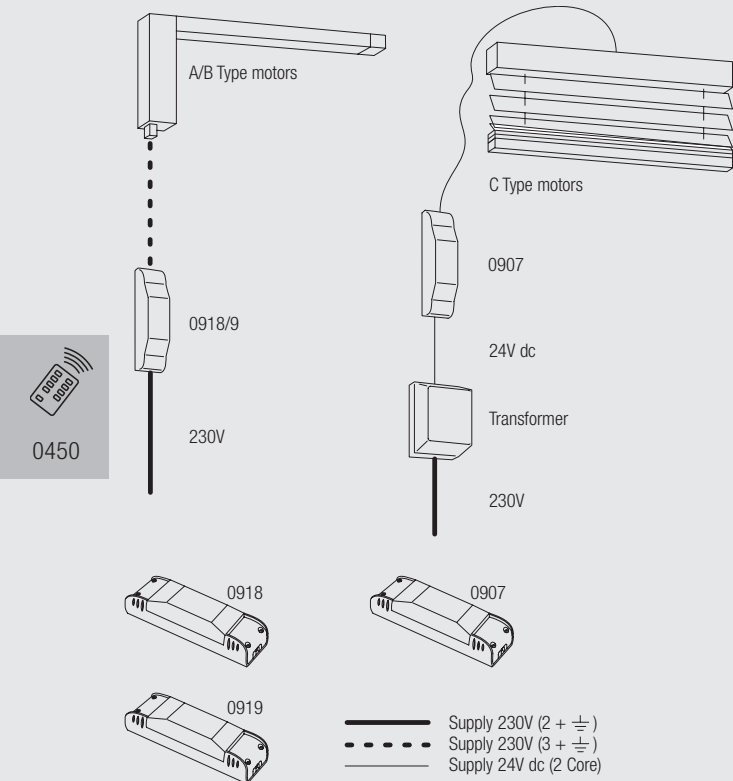
### Hand held transmitters 0915/0939



0915: Hand held transmitter single-channel  
 0939: Multi-channel programmable transmitter

Switches and remotes 0913 - 0916 are also compatible with motors 9021 and 9023 integrated radio receivers.

### Control modules 0907/0918/0919

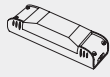


0918: Control Module (motor type A)  
 0919: Control Module (motor type B)  
 0907: Control Module (motor type C)

Typical wiring installation

## Standard Accessories

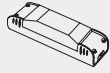
0907 Control module (motor type C)



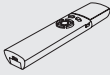
0914 Wall mounted switch 8-channel  
BS Brushed Stainless/MP Mirror  
Polish/BR Brass



0918 Control module (motor type A, AA)



0939 Multi-channel programmable  
transmitter



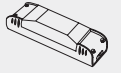
0913 Wall mounted switch single-channel  
BS Brushed Stainless/MP Mirror  
Polish/BR Brass



0915 Hand held transmitter single-  
channel



0919 Control module (motor type B, BB)



## Optional Accessories

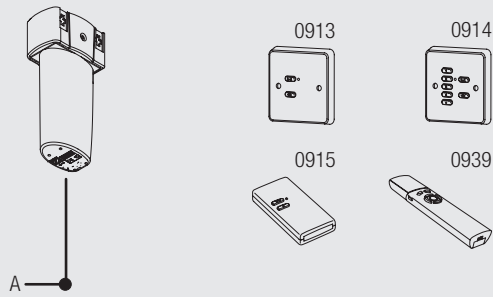
0917 White pattress box



0450

## Transmitter/Receiver Combinations

### Motors with integrated receivers

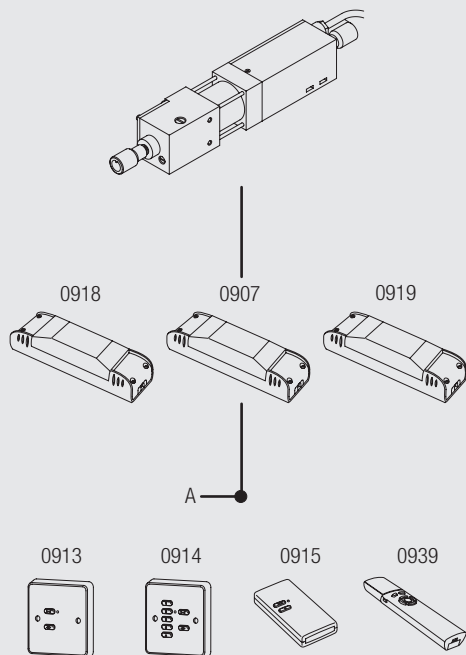


A: 230V

The following motors with integrated receivers can be operated directly with hand held transmitters Silent Gliss 0915 and 0939 and wall switches Silent Gliss 0913 and 0914.

Motor 9021 (Systems 5400, 5420)  
 Motor 9041 (Systems 5200, 5220)  
 Motor 9091EL (Systems 2650, 2950)

### Motors without integrated receiver

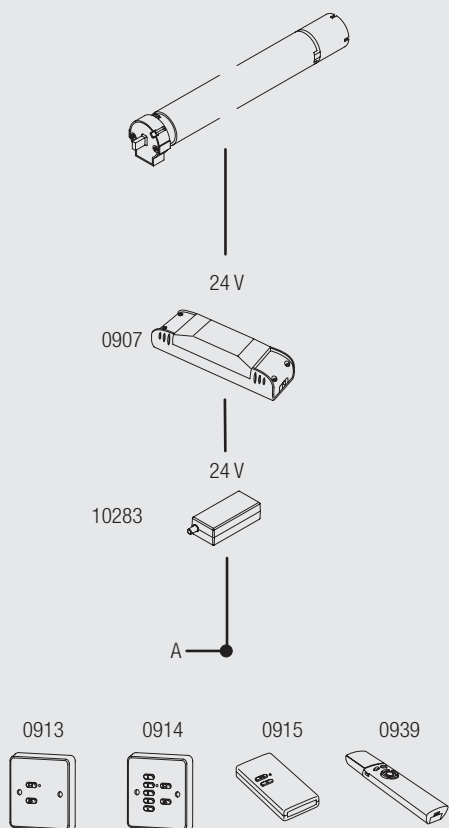


A: 230V

The following motors without integrated receivers can be operated in combination with receivers Silent Gliss 0918, 0907 or 0919:

Motor 2160 (Systems 2195, 8950)  
 Motor 4575 (System 4595)  
 Motor 10322 (Systems 2350 up to 15kg, 4550, 4960, 4880)  
 Motor 5360 (System 5300)  
 Motor 5805 (System 5800)  
 Motor 8605 (System 8600)  
 Motor 9009 (Systems 8700, 8800)  
 Motor 10522 (Systems 2350 up to 7.5kg, 4870)

## 24V motors without integrated receiver



A: 230V

The following motors (24V) without integrated receivers can be operated with receiver 0907

Motor 8060 (Systems 8250, 8500)

For specific wiring diagrams and detailed information about each motor and systems compatible with the Radio Remote Control System Silent Gliss 0450, please contact Silent Gliss.



[www.silentgliss.co.uk](http://www.silentgliss.co.uk)

[www.silentglissglobal.com](http://www.silentglissglobal.com)

Silent Gliss Ltd  
Pyramid Business Park  
Poorhole Lane  
Broadstairs  
Kent  
CT10 2PT  
Great Britain

Tel: +44 (0) 1843 863571  
Fax: +44 (0) 1843 864503  
[info@silentgliss.co.uk](mailto:info@silentgliss.co.uk)

Silent Gliss Global Ltd  
Pyramid Business Park  
Poorhole Lane  
Broadstairs  
Kent  
CT10 2PT  
Great Britain

Tel: +44 (0) 1843 874250  
Fax: +44 (0) 1843 874457  
[info@silentglissglobal.com](mailto:info@silentglissglobal.com)